

**General Notes**

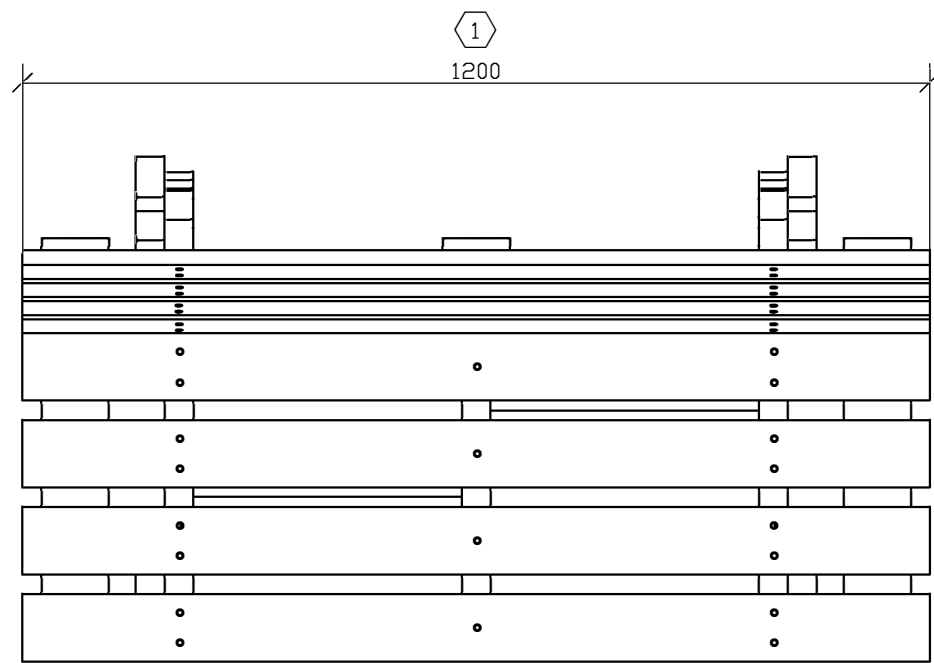
FOR EDUCATIONAL PURPOSE  
ONLY  
1)

No.	Revision/Issue	Date

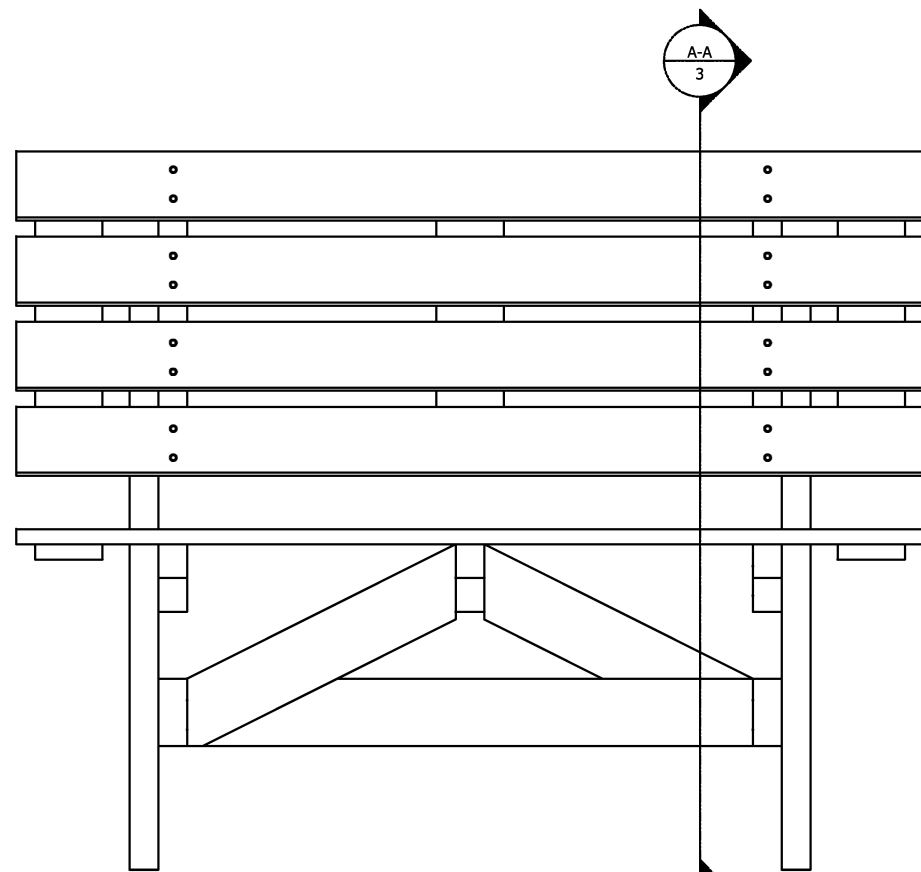
Skills Alberta  
Regional  
Project

Project Name and Address  
Park Bench

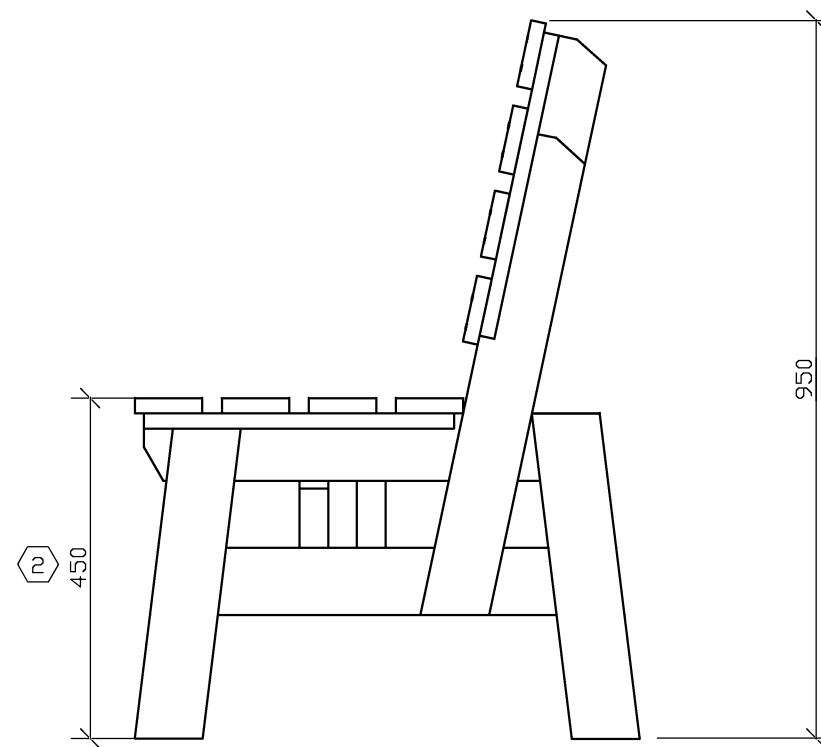
Drawing	Isometric	Sheet	1 of 5
Date	October 2023		
Scale	1:6		



TOP



FRONT



RIGHT SIDE

**General Notes**

FOR EDUCATIONAL PURPOSE ONLY  
1)

No.	Revision/Issue	Date

Skills Alberta  
Regional  
Project

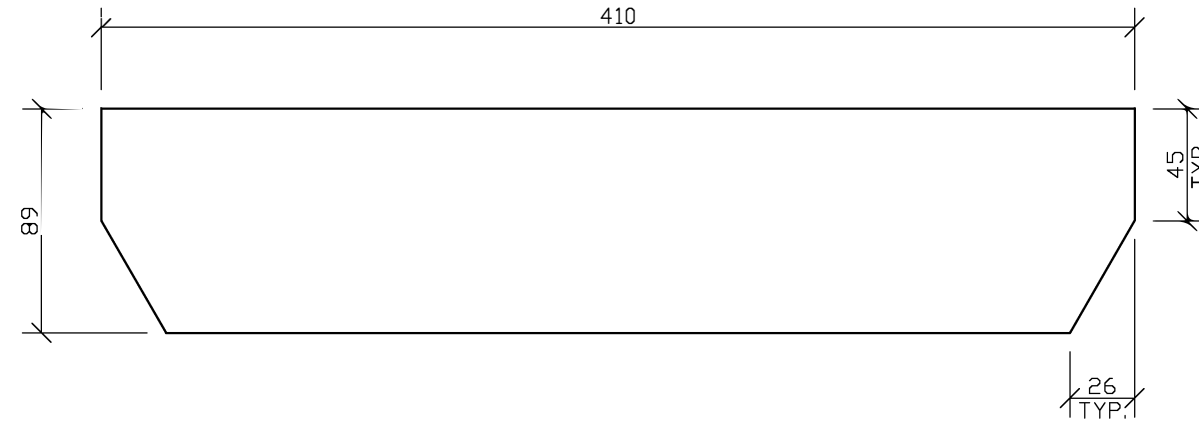
Project Name and Address  
  
Park Bench

Drawing Orthographic	Sheet 2 of 5
Date October 2023	
Scale 1:10	

DETAIL A

Leg Construction Notes:

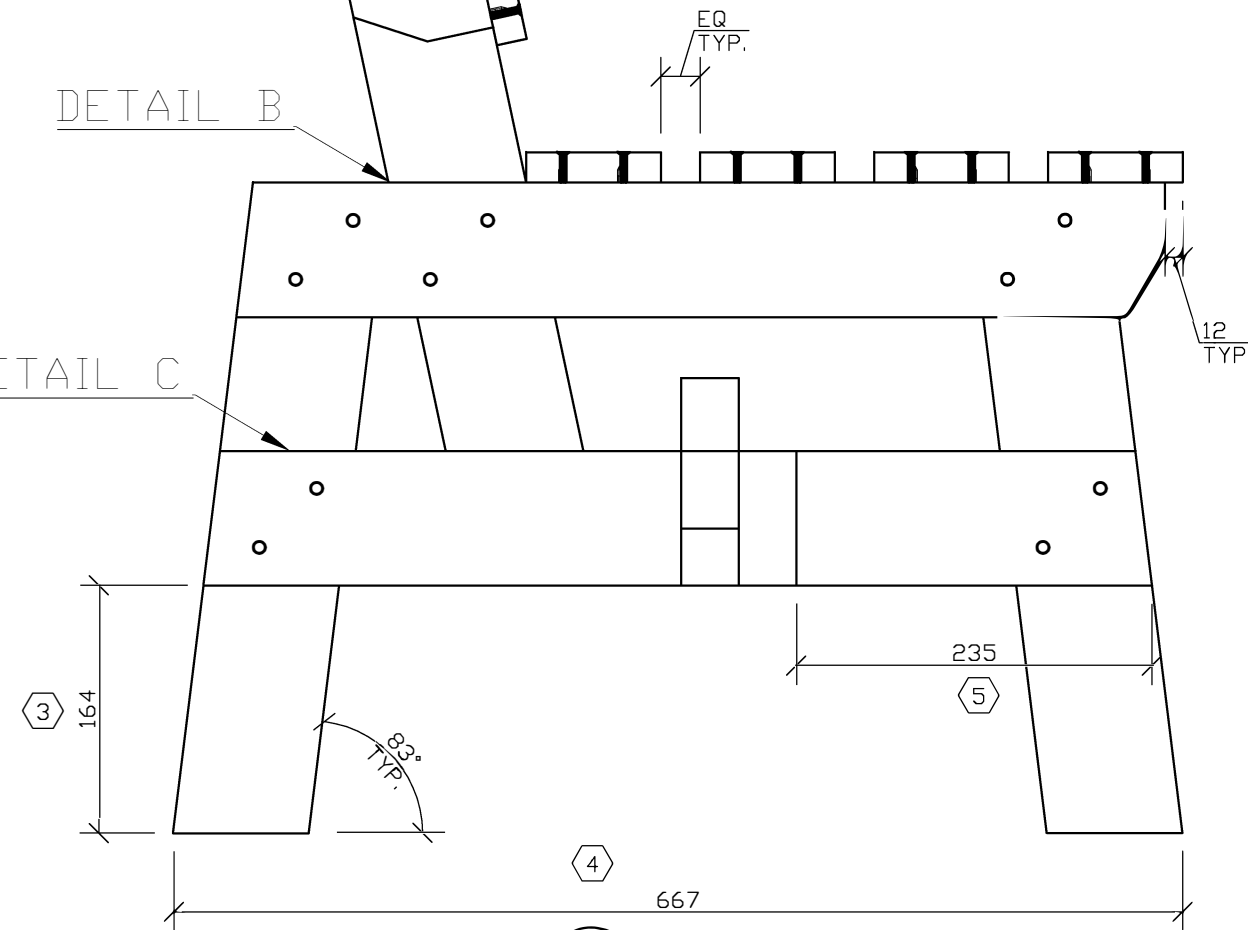
- Legs are to be screwed together using 2½" screws
- All Screws are to be pre drilled and countersunk flush



DETAIL A  
SCALE 1:3

DETAIL B

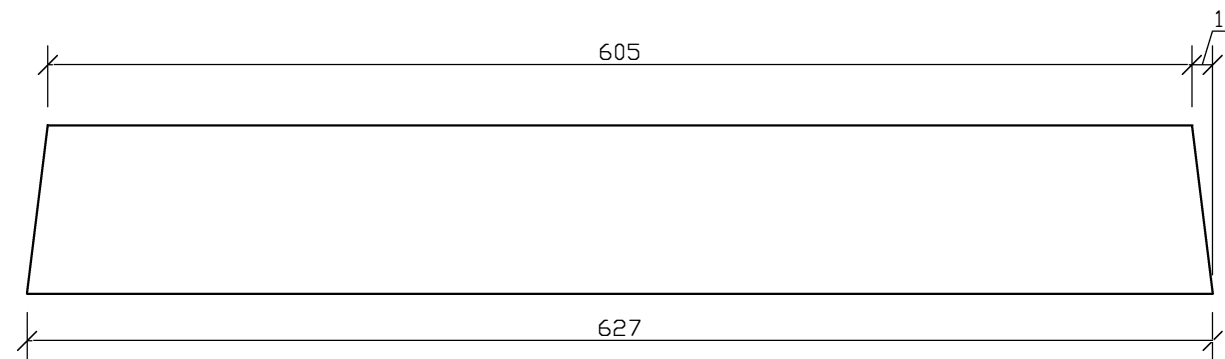
DETAIL C



AA  
2  
SCALE 1:5



DETAIL B  
SCALE 1:4



DETAIL C  
SCALE 1:4

**General Notes**

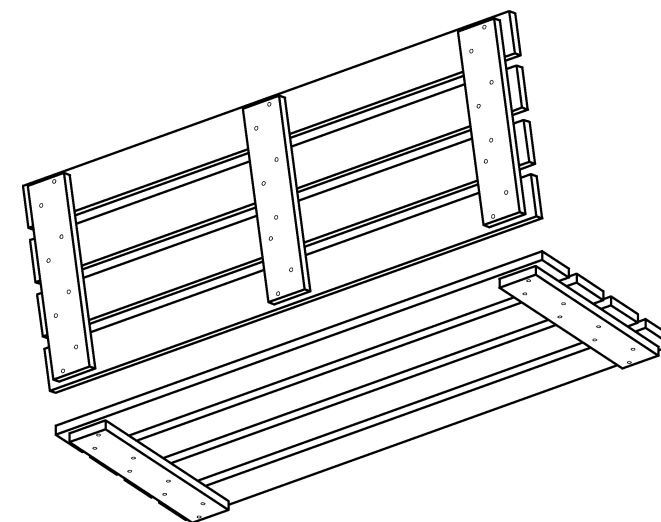
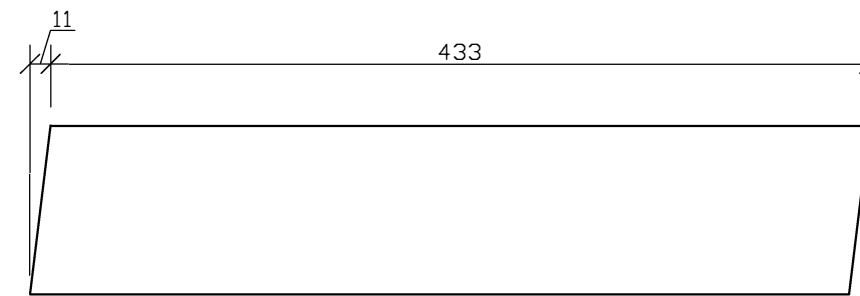
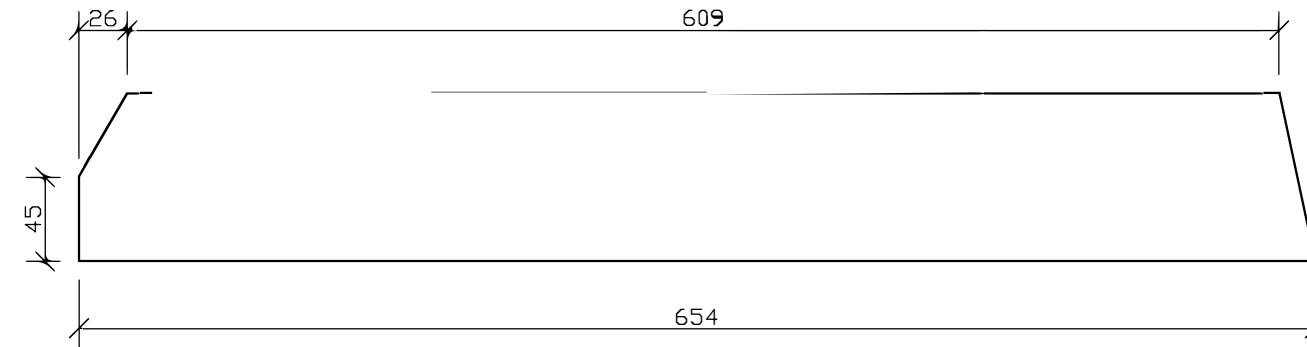
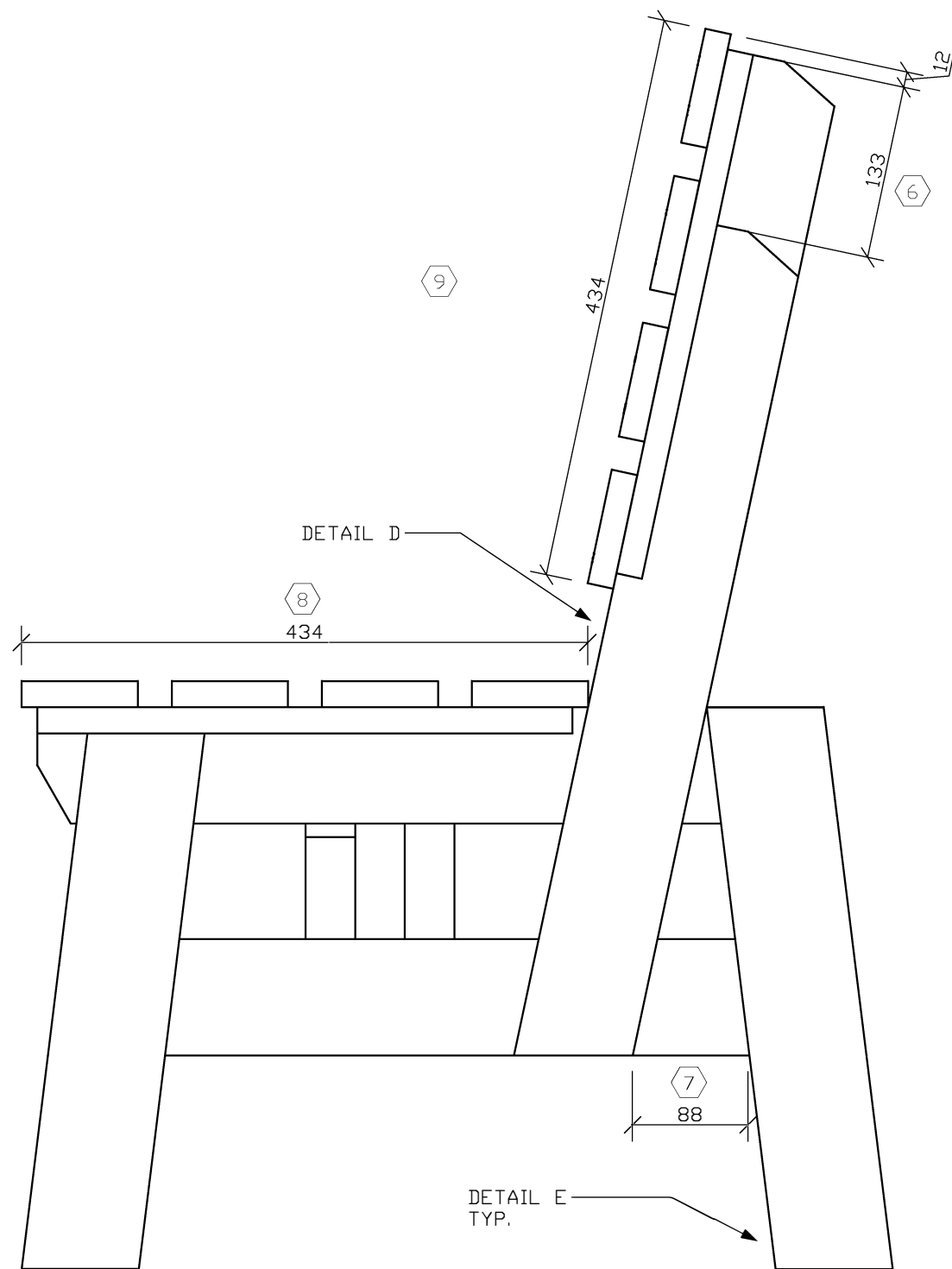
FOR EDUCATIONAL PURPOSE ONLY  
1)

No.	Revision/Issue	Date

Skills Alberta  
Regional  
Project

Project Name and Address  
**Park Bench**

Drawing <b>DETAILS</b>	Sheet <b>3</b>
Date <b>October 2023</b>	of <b>5</b>
Scale <b>AS SHOWN</b>	



SEAT AND BACK  
NOTES:

- Slats are equally spaced
- Cleats are to be 12mm from sides of outside slats
- End cleats are positioned 25mm from end of slats
- Back centre cleat is located in centre of back
- Slats to be attached to cleats from the back of cleats with 2-1/4" screws each slat as per drawing

General Notes

FOR EDUCATIONAL PURPOSE ONLY  
1)

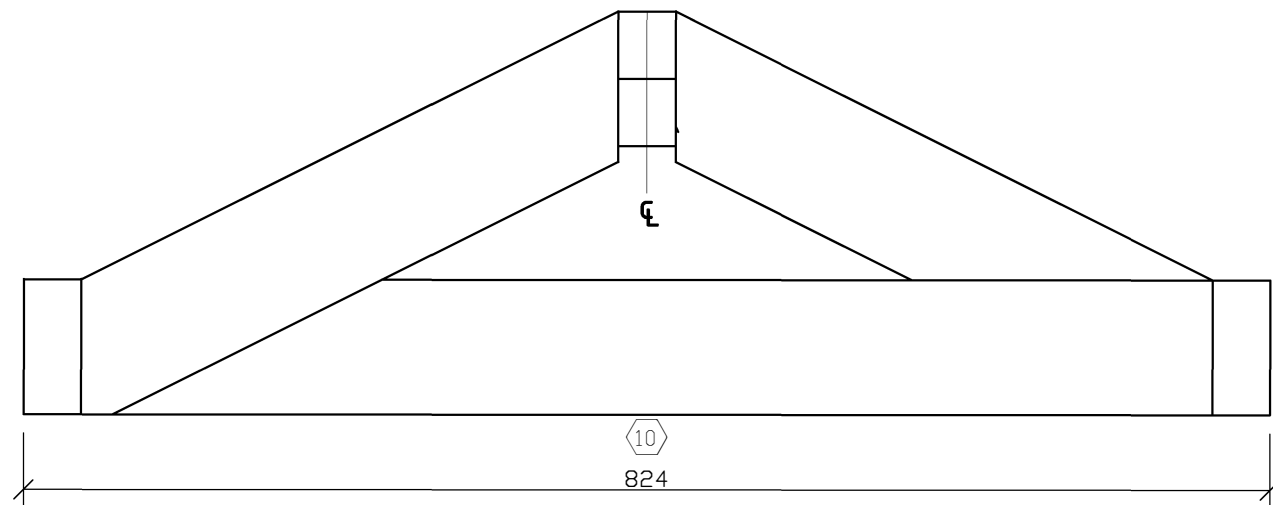
No.	Revision/Issue	Date

Skills Alberta  
Regional  
Project

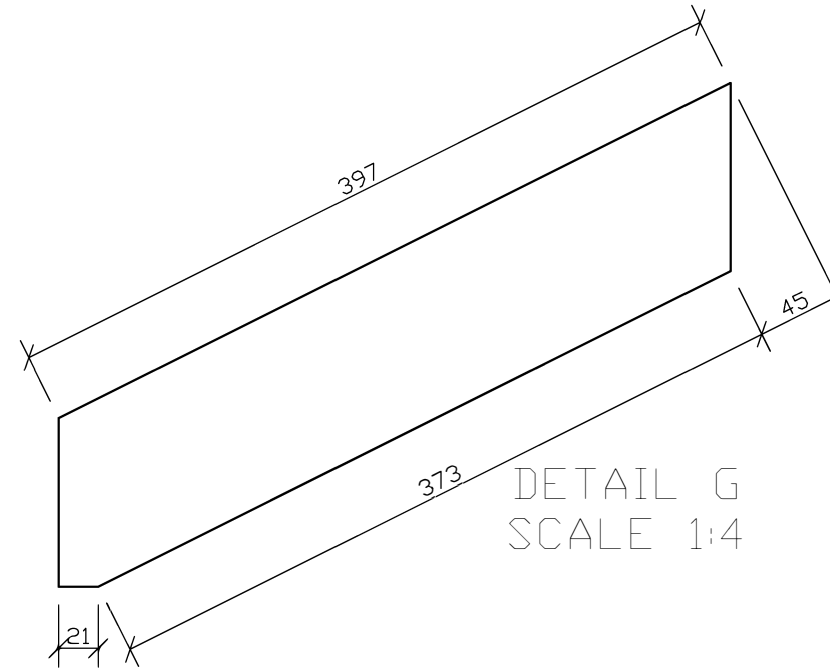
Project Name and Address

Park Bench

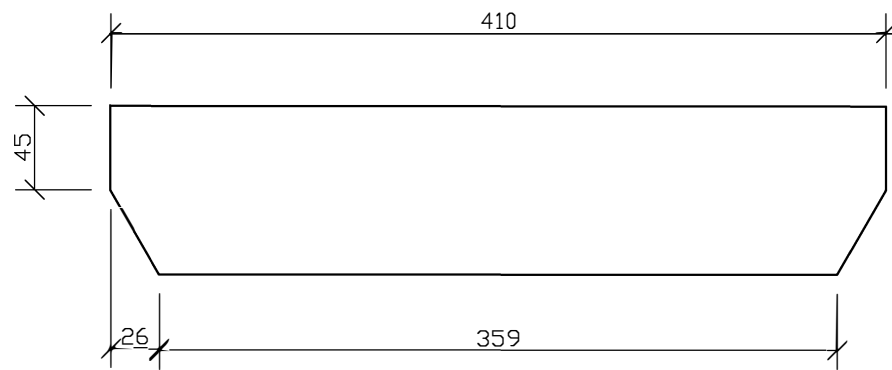
Drawing Details	Sheet 4 of 5
Date October 2023	
Scale As Shown	



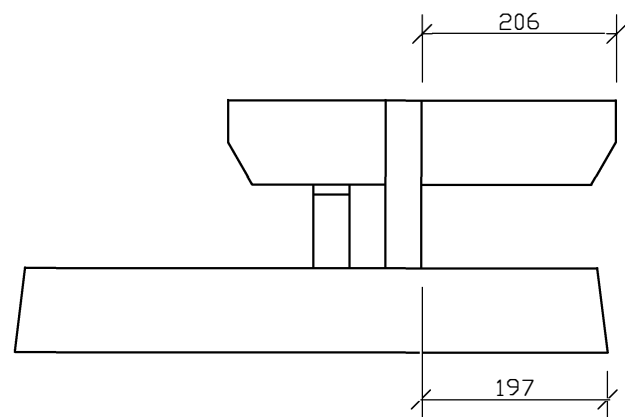
DETAIL F  
SCALE 1:5



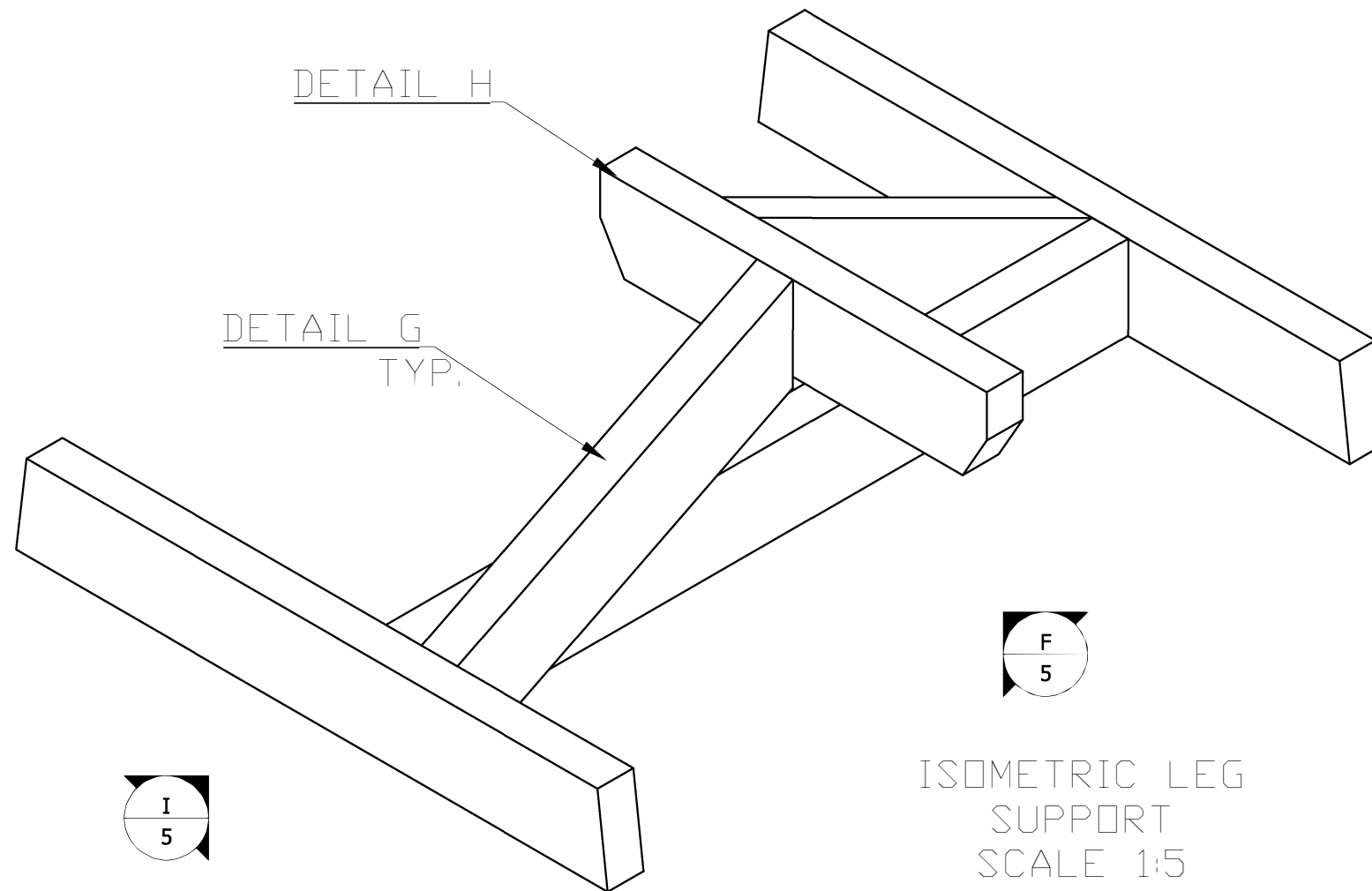
DETAIL G  
SCALE 1:4



DETAIL H  
SCALE 1:4



DETAIL I  
SCALE 1:8



ISOMETRIC LEG  
SUPPORT  
SCALE 1:5

**General Notes**

FOR EDUCATIONAL PURPOSE ONLY

- Leg Supports Notes:
- Leg supports are to be screwed together using 3/2" screws
  - All Screws are to be pre drilled and countersunk flush

No.	Revision/Issue	Date

Skills Alberta  
Regional  
Project

Project Name and Address

Park Bench

Drawing DETAILS	Sheet 5 of 5
Date October 2023	
Scale AS SHOWN	