

NOTE:
 DRAWINGS FOR TRAINING PURPOSES ONLY
 COMPETITION PROJECT MAY HAVE UP TO 30% CHANGE

NOTES:

- CASE PARTS:
 - 18 AND 6 MM BALTIC BIRCH
- CASE JOINERY:
 - MITRED CORNERS WITH DOWELS
 - BOTTOM IN 6 X 6 GROOVE
- LID:
 - LIFT OUT LID WITH 2 X 2 CHAMFER AND FINGER PULL
- SURFACE PREPARATION:
 - ALL SURFACES SHOULD BE SANDED TO 150 GRIT WITH NO VISIBLE PENCILMARKS OR CROSS-SANDING
 - EDGES SHOULD BE SLIGHTLY BROKEN (+/- 0.5 MM)

PROJECT:

BUTTON BOX
22/23

LEVEL:

REGIONAL
COMPETITION

DRAWING DESCRIPTION

ORTHOGRAPHIC
VIEWS

DATE:

Nov 9, 2021

SCALE:

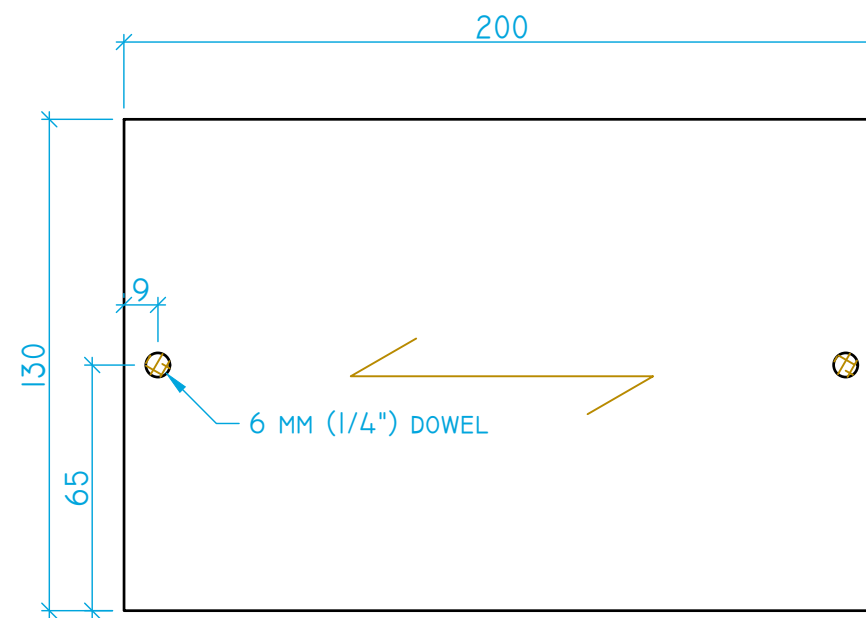
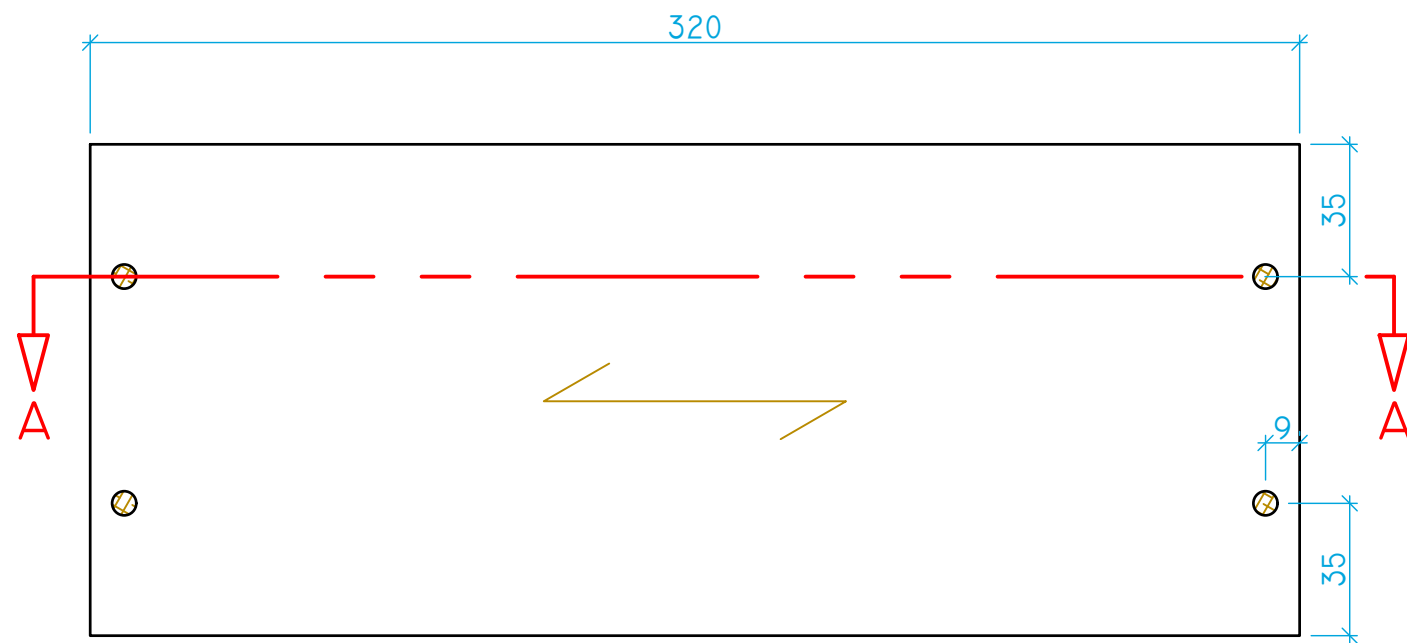
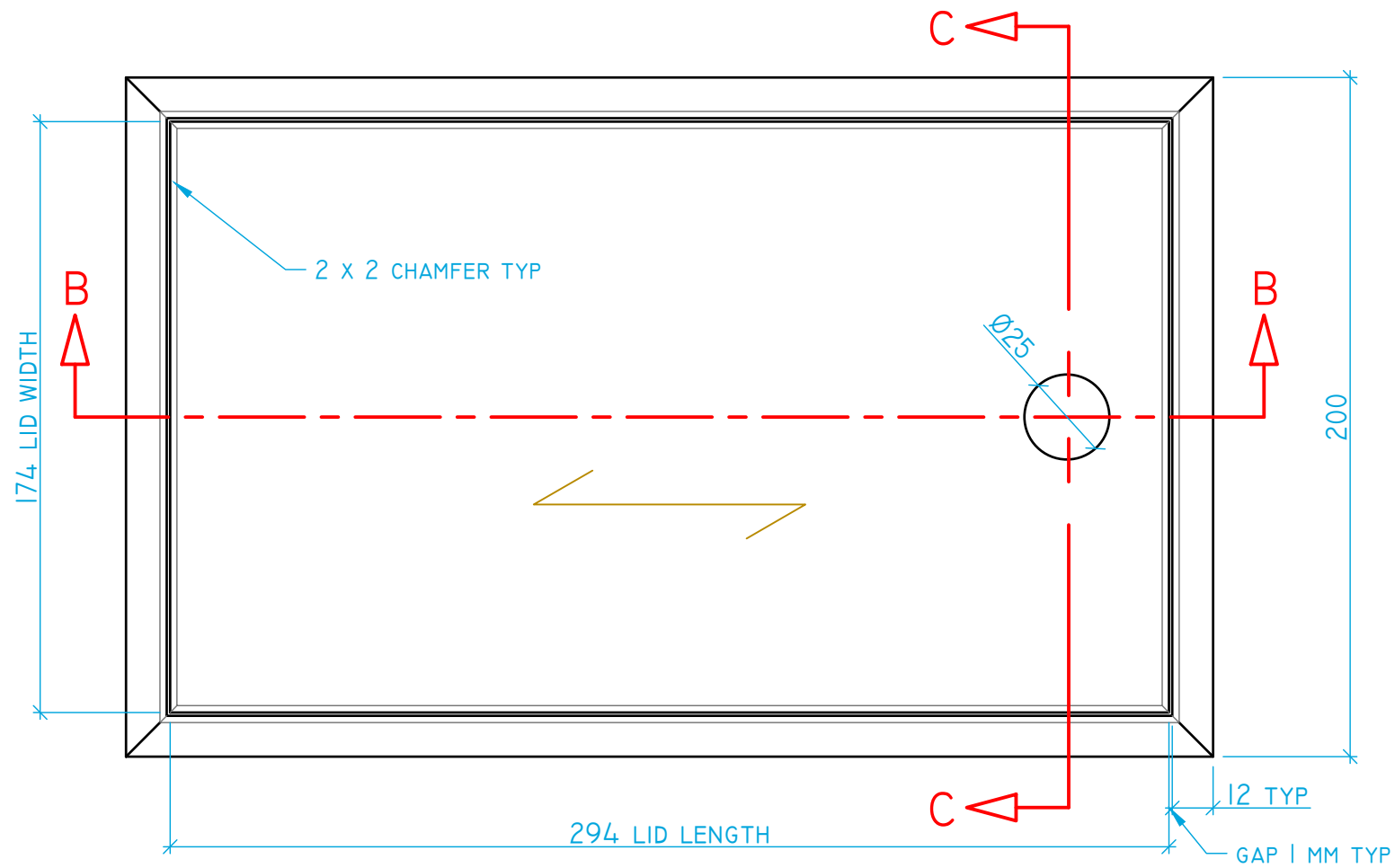
1 : 2

DRAWN BY:

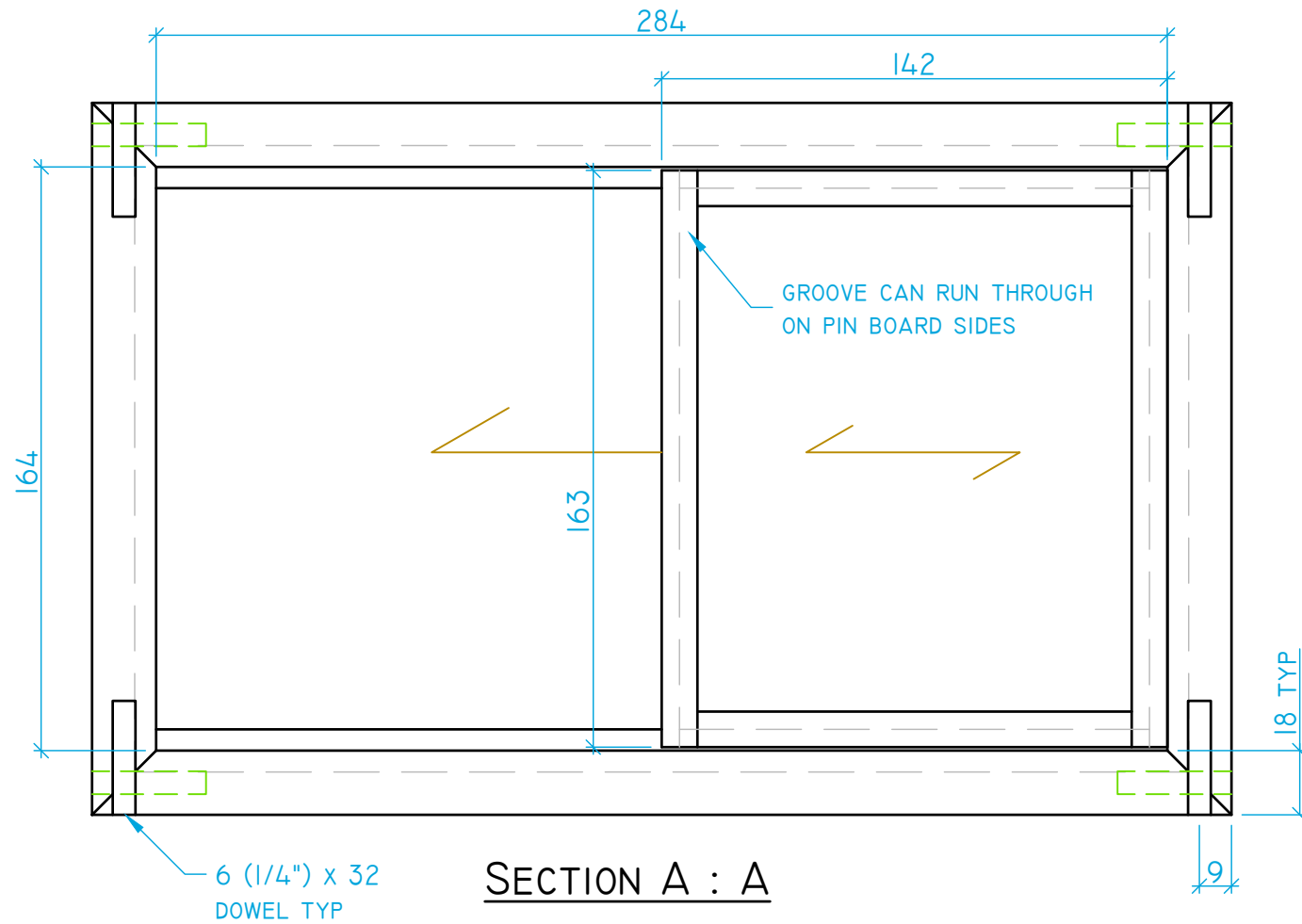
IM / HB

SHEET:

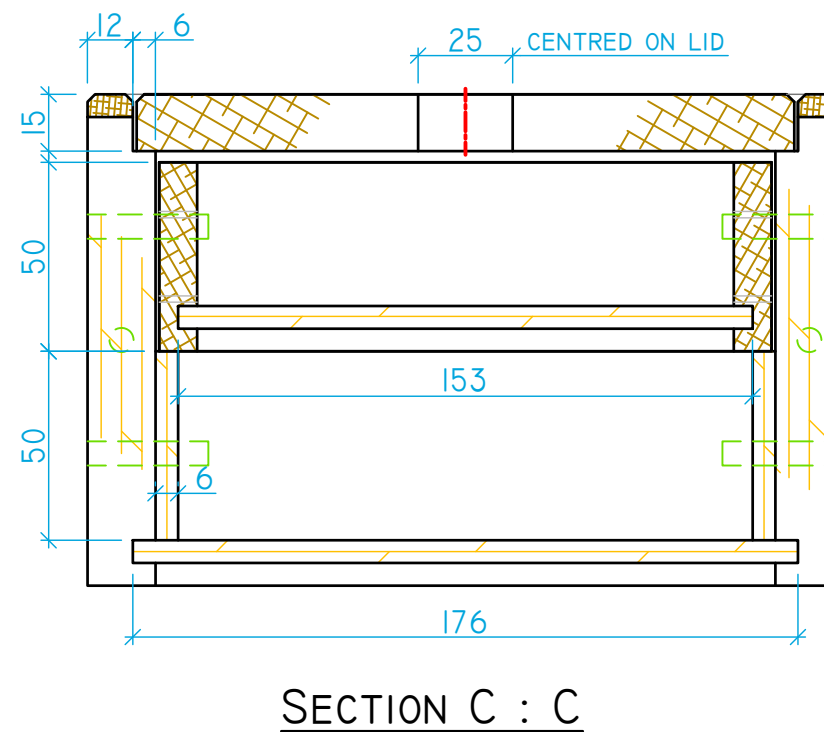
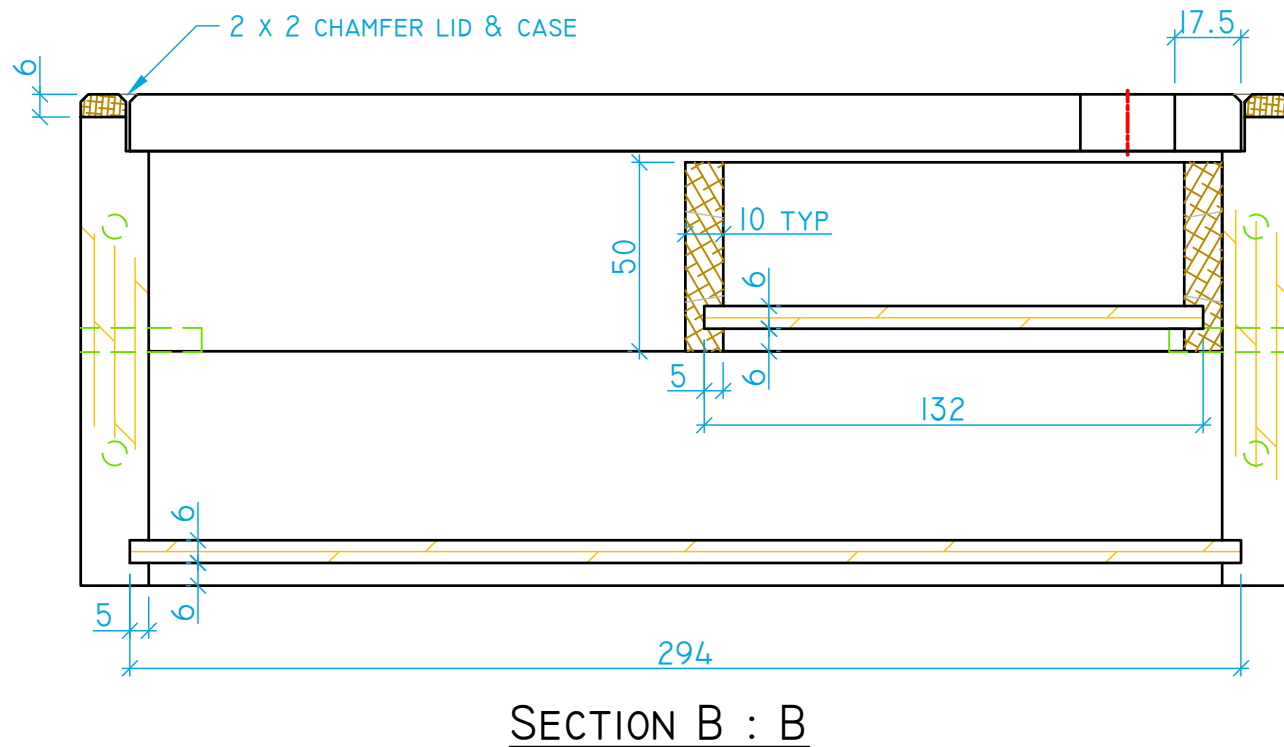
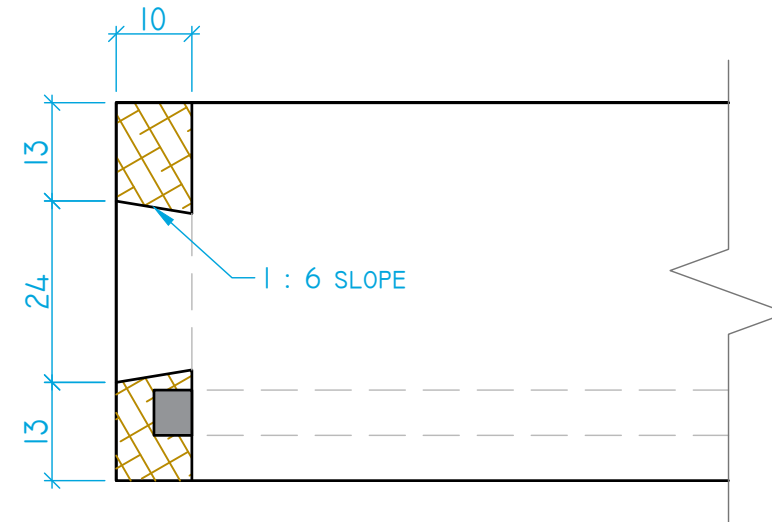
1 OF 2



ORTHO VIEWS SCALE 1 : 2



NOTE:
DRAWINGS FOR TRAINING PURPOSES ONLY
COMPETITION PROJECT MAY HAVE UP TO 30% CHANGE



- NOTES:
- CASE PARTS:
- 18 AND 6 MM BALTIC BIRCH OR SIMILAR
- CASE JOINERY:
- MITRED CORNERS WITH DOWELS
 - BOTTOM IN 5 X 6 GROOVE
- TRAY:
- CHERRY HARDWOOD OR SIMILAR
 - 6 MM PLY BOTTOM IN 5 X 6 GROOVE
 - DOVETAIL CORNERS CUT WITH HAND TOOLS ONLY
 - DOVETAILS NEED TO BE SUBMITTED PRIOR TO ASSEMBLY (PHOTO OR JUDGE) TO RECEIVE "PRIOR TO ASSEMBLY" MARKS
 - TRAY SLIDES ON 6 MM PLY RAILS
 - EDGING SUPPLIED 6X19 MM

PROJECT:
BUTTON BOX
22/23

LEVEL:
REGIONAL
COMPETITION

DRAWING DESCRIPTION
ORTHOGRAPHIC
VIEWS

DATE:
Nov 9, 2021

SCALE:
1 : 2

DRAWN BY:
IM / HB

SHEET:
2 OF 2