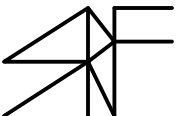
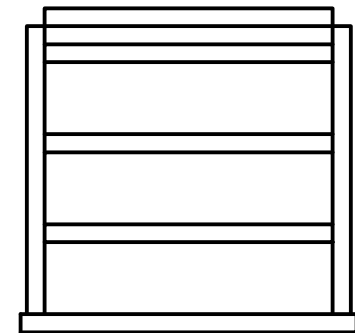
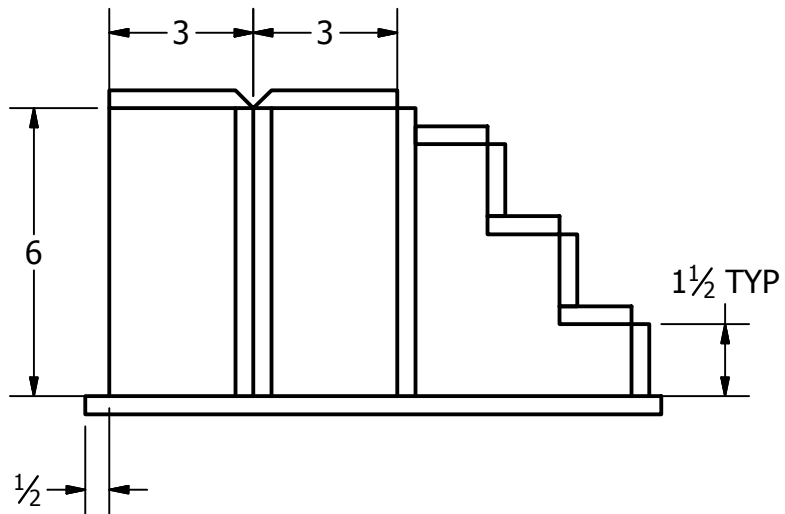
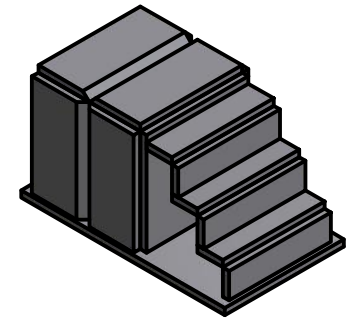
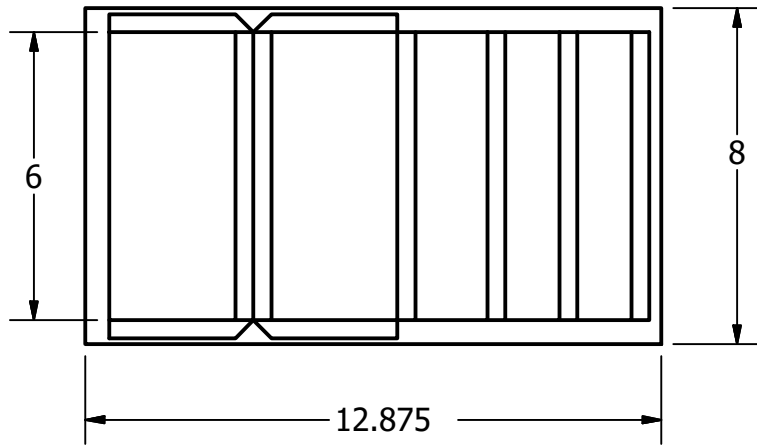
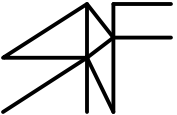


Note: Must be tacked up before welding and placed flat on table, No flipping project when welding
All groove welds full penetration .

DRAWN Scott Friesen 	28/01/2014	2023 Regional - Steps		



DRAWN Scott Friesen	29/01/2014	2023 Regional - Steps		
		SIZE A	REV 1.3	SHEET 1 OF 1